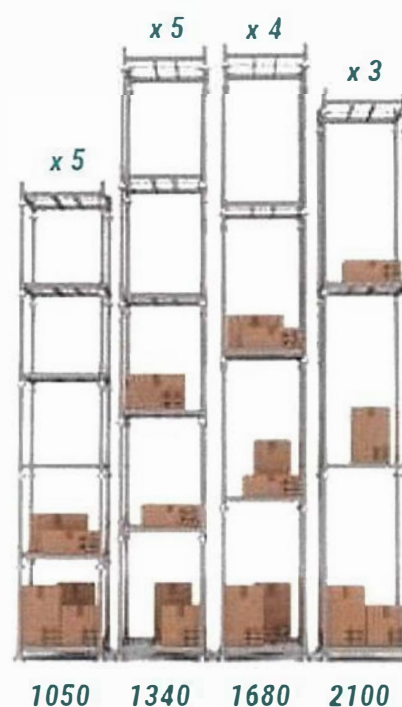
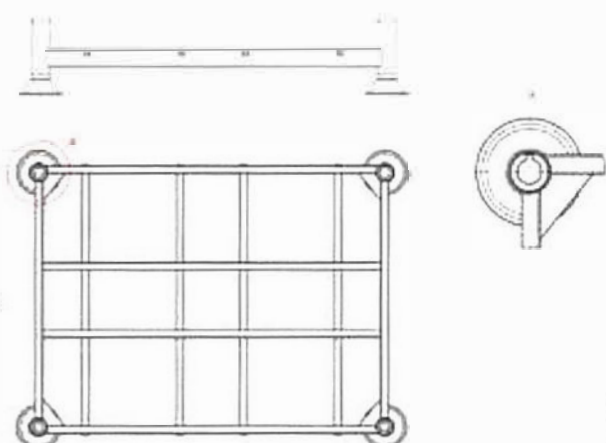


Technical Data

Tube length \varnothing 60,3 x 2,9 [mm]	1050	1340	1680	2100
Maximum number on a stack - loaded [pcs]:	5	5	4	3
- unloaded [pcs]:	5	5	4	3
Maximum load of a tier [kg]:	1500	1500	1500	1500
Maximum total load [kg]:	7500	7500	6000	4500

Product features

- Axial dimensions: 1370 x 1005 mm
- Stacking: available
- Finish: paint coating / HDG
- Carrying tubes in different lengths to be ordered separately



TÜV Certificate no: TM 61000635.001

PN-EN 13626:2005

